

Composite Push-In Fittings



Precision Engineered

Fine Quality



Advanced Design



Contents

Fittings Numbering System.....	A2
Composite Push-In Air Fittings List Price.....	A3 - A5
Composite Push-In Fittings Specifications.....	A6
Push-In Fittings Dimensions.....	A7 - A13
Composite Angle Flow Control Air Valves Flow Rate.....	A14

Ordering Part No. =
(e.g., **BC 1/8 10-32**)

BC

1/8

10-32

Fitting Name	
Branch Tee	BT
Bulkhead Connector	BC
Bulkhead Union	BU
Compact Male Connector	CC
Control Valve (Meter-In Tube)	CI
Control Valve (Meter-Out Tube)	CV
Cross Union	CU
Elbow Reducer	ER
Elbow Union	EU
Extended Elbow	EE
Female Connector	FC
Female Elbow	FE
Flow Control Valve (Inline)	FV
Male Angle	MA
Male Connector	MC
Male Elbow	ME
Male Manifold	MM
Manifold Union	MU
Plug	PG
Plug-In Elbow	PE
Reduced Branch	RB
Reduced Union	RU
Run Tee	RT
Stack Elbow	SE
Stem Coupler	SC
Stem Reducer	SR
Straight Union	SU
Tee Union	TU
Tee Union Reducer	TU
Tube Reducer	TR
Universal Elbow	UE
Y Connector	YC
Y Reducer	YR
Y Union	YU

Tube OD	
Inches	1/8
	5/32
	3/16
	1/4
	5/16
	3/8
	1/2
mm	4
	6
	8
	10
	12
16	

Thread Size / Stem / Tube	
Thread Size: N = NPT R = BSPT (British Standard Taper Thread) G = BSPP (British Standard Parallel Thread) U = Universal Thread (fits NPT, R, & G)	10-32
	N1/8
	N1/4
	N3/8
	N1/2
	M5
	M6
	R1/8
	R1/4
	R3/8
	R1/2
	G1/8
	G1/4
	G3/8
Stem Size	U1/8
	U1/4
	U3/8
	U1/2
	1/8-1/2"
	4-12mm

Options—Release Button Color	
Purple / Metal Finish	(leave blank)
Black	K








Composite Push-In Air Fittings List Price



Composite Fittings													
Model		Male Connector (with Internal Hex)		Compact Male Connector (with Internal Hex)		Male Elbow		Branch Tee		Run Tee		Y Connector	
		MC		CC		ME		BT		RT		YC	
Tube OD	Pipe Size	Part No.	Unit Price	Part No.	Unit Price	Part No.	Unit Price	Part No.	Unit Price	Part No.	Unit Price	Part No.	Unit Price
1/8	10-32UNF	MC 1/8 10-32	\$1.29	CC 1/8 10-32	\$1.29	ME 1/8 10-32	\$1.85	BT 1/8 10-32	\$2.86	RT 1/8 10-32	\$2.61	YC 1/8 10-32	\$2.61
1/8	NPT1/8	MC 1/8 N1/8	\$1.29	CC 1/8 N1/8	\$1.29	ME 1/8 N1/8	\$1.85	BT 1/8 N1/8	\$2.86	RT 1/8 N1/8	\$2.88	YC 1/8 N1/8	\$2.61
1/8	NPT1/4	MC 1/8 N1/4	\$1.29	CC 1/8 N1/4	\$1.29	ME 1/8 N1/4	\$1.85	BT 1/8 N1/4	\$2.86	RT 1/8 N1/4	\$2.88	YC 1/8 N1/4	\$2.61
5/32	10-32UNF	MC 5/32 10-32	\$1.29	CC 5/32 10-32	\$1.37	ME 5/32 10-32	\$1.85	BT 5/32 10-32	\$2.86	RT 5/32 10-32	\$2.61	YC 5/32 10-32	\$2.61
5/32	NPT1/8	MC 5/32 N1/8	\$1.29	CC 5/32 N1/8	\$1.29	ME 5/32 N1/8	\$1.85	BT 5/32 N1/8	\$2.86	RT 5/32 N1/8	\$2.61	YC 5/32 N1/8	\$2.61
5/32	NPT1/4	MC 5/32 N1/4	\$1.31	CC 5/32 N1/4	\$1.29	ME 5/32 N1/4	\$1.85	BT 5/32 N1/4	\$2.86	RT 5/32 N1/4	\$2.88	YC 5/32 N1/4	\$2.61
3/16	10-32UNF	MC 3/16 10-32	\$1.29	CC 3/16 10-32	\$1.29	ME 3/16 10-32	\$1.85	BT 3/16 10-32	\$2.86	RT 3/16 10-32	\$2.88	YC 3/16 10-32	\$2.88
3/16	NPT1/8	MC 3/16 N1/8	\$1.29	CC 3/16 N1/8	\$1.29	ME 3/16 N1/8	\$1.85	BT 3/16 N1/8	\$2.86	RT 3/16 N1/8	\$2.88	YC 3/16 N1/8	\$2.88
3/16	NPT1/4	MC 3/16 N1/4	\$1.29	CC 3/16 N1/4	\$1.29	ME 3/16 N1/4	\$1.85	BT 3/16 N1/4	\$2.86	RT 3/16 N1/4	\$2.88	YC 3/16 N1/4	\$2.88
3/16	NPT3/8	MC 3/16 N3/8	\$1.29	CC 3/16 N3/8	\$1.29	ME 3/16 N3/8	\$1.85	BT 3/16 N3/8	\$2.86	RT 3/16 N3/8	\$2.88	YC 3/16 N3/8	\$2.88
1/4	10-32UNF	MC 1/4 10-32	\$1.29	CC 1/4 10-32	\$1.43	ME 1/4 10-32	\$1.85	BT 1/4 10-32	\$2.86	RT 1/4 10-32	\$3.46	YC 1/4 10-32	\$2.88
1/4	NPT1/8	MC 1/4 N1/8	\$1.29	CC 1/4 N1/8	\$1.61	ME 1/4 N1/8	\$1.85	BT 1/4 N1/8	\$2.89	RT 1/4 N1/8	\$3.94	YC 1/4 N1/8	\$2.88
1/4	NPT1/4	MC 1/4 N1/4	\$1.37	CC 1/4 N1/4	\$1.32	ME 1/4 N1/4	\$1.85	BT 1/4 N1/4	\$3.12	RT 1/4 N1/4	\$3.94	YC 1/4 N1/4	\$3.11
1/4	NPT3/8	MC 1/4 N3/8	\$1.85	CC 1/4 N3/8	\$2.75	ME 1/4 N3/8	\$2.20	BT 1/4 N3/8	\$3.46	RT 1/4 N3/8	\$4.31	YC 1/4 N3/8	\$3.46
5/16	NPT1/8	MC 5/16 N1/8	\$1.37	CC 5/16 N1/8	\$1.32	ME 5/16 N1/8	\$2.05	BT 5/16 N1/8	\$3.25	RT 5/16 N1/8	\$3.59	YC 5/16 N1/8	\$3.25
5/16	NPT1/4	MC 5/16 N1/4	\$1.43	CC 5/16 N1/4	\$1.29	ME 5/16 N1/4	\$2.05	BT 5/16 N1/4	\$3.25	RT 5/16 N1/4	\$3.94	YC 5/16 N1/4	\$3.25
5/16	NPT3/8	MC 5/16 N3/8	\$1.85	CC 5/16 N3/8	\$1.85	ME 5/16 N3/8	\$2.34	BT 5/16 N3/8	\$3.59	RT 5/16 N3/8	\$4.31	YC 5/16 N3/8	\$3.59
3/8	NPT1/8	MC 3/8 N1/8	\$1.91	CC 3/8 N1/8	\$2.75	ME 3/8 N1/8	\$2.49	BT 3/8 N1/8	\$3.46	RT 3/8 N1/8	\$4.31	YC 3/8 N1/8	\$3.59
3/8	NPT1/4	MC 3/8 N1/4	\$1.99	CC 3/8 N1/4	\$1.92	ME 3/8 N1/4	\$2.49	BT 3/8 N1/4	\$3.61	RT 3/8 N1/4	\$4.31	YC 3/8 N1/4	\$3.59
3/8	NPT3/8	MC 3/8 N3/8	\$2.75	CC 3/8 N3/8	\$2.75	ME 3/8 N3/8	\$2.93	BT 3/8 N3/8	\$3.88	RT 3/8 N3/8	\$4.64	YC 3/8 N3/8	\$3.81
3/8	NPT1/2	MC 3/8 N1/2	\$2.86	CC 3/8 N1/2	\$2.75	ME 3/8 N1/2	\$4.25	BT 3/8 N1/2	\$5.03	RT 3/8 N1/2	\$5.02	YC 3/8 N1/2	\$4.64
1/2	NPT1/4	MC 1/2 N1/4	\$2.75	CC 1/2 N1/4	\$3.71	ME 1/2 N1/4	\$4.25	BT 1/2 N1/4	\$4.64	RT 1/2 N1/4	\$4.64	YC 1/2 N1/4	\$4.64
1/2	NPT3/8	MC 1/2 N3/8	\$2.75	CC 1/2 N 3/8	\$3.78	ME 1/2 N3/8	\$4.25	BT 1/2 N3/8	\$4.74	RT 1/2 N3/8	\$5.03	YC 1/2 N3/8	\$4.64
1/2	NPT1/2	MC 1/2 N1/2	\$3.17	CC 1/2 N1/2	\$3.90	ME 1/2 N1/2	\$4.25	BT 1/2 N1/2	\$5.23	RT 1/2 N1/2	\$5.36	YC 1/2 N1/2	\$5.02

4 mm	M5X0.8	MC 4 M5	\$1.29			ME 4 M5	\$1.85	BT 4 M5	\$2.61	RT 4 M5	\$2.61	YC 4 M5	\$2.61
4 mm	M6X1	MC 4 M6	\$1.29			ME 4 M6	\$1.85	BT 4 M6	\$2.61	RT 4 M6	\$2.61	YC 4 M6	\$2.61
4 mm	R1/8	MC 4 R1/8	\$1.29			ME 4 R1/8	\$1.85	BT 4 R1/8	\$2.86	RT 4 R1/8	\$2.61	YC 4 R1/8	\$2.61
4 mm	R1/4	MC 4 R1/4	\$1.29			ME 4 R1/4	\$1.85	BT 4 R1/4	\$2.86	RT 4 R1/4	\$2.86	YC 4 R1/4	\$2.86
6 mm	M5X0.8	MC 6 M5	\$1.29			ME 6 M5	\$1.85	BT 6 M5	\$2.88	RT 6 M5	\$3.46	YC 6 M5	\$2.88
6 mm	M6X1	MC 6 M6	\$1.29			ME 6 M6	\$1.85	BT 6 M6	\$2.88	RT 6 M6	\$3.46	YC 6 M6	\$2.88
6 mm	R1/8	MC 6 R1/8	\$1.29			ME 6 R1/8	\$1.85	BT 6 R1/8	\$2.86	RT 6 R1/8	\$3.46	YC 6 R1/8	\$2.88
6 mm	R1/4	MC 6 R1/4	\$1.29			ME 6 R1/4	\$1.85	BT 6 R1/4	\$3.11	RT 6 R1/4	\$3.94	YC 6 R1/4	\$3.11
6 mm	R3/8	MC 6 R3/8	\$1.85			ME 6 R3/8	\$2.20	BT 6 R3/8	\$3.46	RT 6 R3/8	\$4.31	YC 6 R3/8	\$3.46
6 mm	R1/2	MC 6 R1/2	\$2.55			ME 6 R1/2	\$3.63	BT 6 R1/2	\$4.64	RT 6 R1/2	\$5.02	YC 6 R1/2	\$4.64
8 mm	R1/8	MC 8 R1/8	\$1.29			ME 8 R1/8	\$2.05	BT 8 R1/8	\$3.25	RT 8 R1/8	\$3.59	YC 8 R1/8	\$3.25
8 mm	R1/4	MC 8 R1/4	\$1.29			ME 8 R1/4	\$2.05	BT 8 R1/4	\$3.25	RT 8 R1/4	\$3.94	YC 8 R1/4	\$3.25
8 mm	R3/8	MC 8 R3/8	\$1.29			ME 8 R3/8	\$2.05	BT 8 R3/8	\$3.59	RT 8 R3/8	\$4.31	YC 8 R3/8	\$3.59
8 mm	R1/2	MC 8 R1/2	\$2.58			ME 8 R1/2	\$2.34	BT 8 R1/2	\$3.59	RT 8 R1/2	\$5.02	YC 8 R1/2	\$4.60
10 mm	R1/8	MC 10 R1/8	\$1.91			ME 10 R1/8	\$2.34	BT 10 R1/8	\$3.46	RT 10 R1/8	\$4.31	YC 10 R1/8	\$3.59
10 mm	R1/4	MC 10 R1/4	\$1.91			ME 10 R1/4	\$2.34	BT 10 R1/4	\$3.59	RT 10 R1/4	\$4.31	YC 10 R1/4	\$3.59
10 mm	R3/8	MC 10 R3/8	\$2.73			ME 10 R3/8	\$2.93	BT 10 R3/8	\$3.87	RT 10 R3/8	\$4.60	YC 10 R3/8	\$3.81
10 mm	R1/2	MC 10 R1/2	\$2.73			ME 10 R1/2	\$4.25	BT 10 R1/2	\$5.02	RT 10 R1/2	\$5.02	YC 10 R1/2	\$4.64
12 mm	R1/8	MC 12 R1/8	\$1.87										
12 mm	R1/4	MC 12 R1/4	\$2.73			ME 12 R1/4	\$4.25	BT 12 R1/4	\$4.64	RT 12 R1/4	\$4.64	YC 12 R1/4	\$4.64
12 mm	R3/8	MC 12 R3/8	\$2.73			ME 12 R3/8	\$4.25	BT 12 R3/8	\$4.64	RT 12 R3/8	\$5.02	YC 12 R3/8	\$4.64
12 mm	R1/2	MC 12 R1/2	\$2.80			ME 12 R1/2	\$4.25	BT 12 R1/2	\$5.02	RT 12 R1/2	\$5.36	YC 12 R1/2	\$5.02

Composite Push-In Air Fittings List Price

Composite Fittings															
Model		Extended Elbow		Universal Elbow		Female Connector		Female Elbow		Bulkhead Connector		Flow Control Valve (Meter-In Tube)		Flow Control Valve (Meter-Out Tube)	
Tube OD	Pipe Size	EE		UE		FC		FE		BC		CI		CV	
1/8	10-32UNF			UE 1/8 10-32	\$2.88	FC 1/8 10-32	\$1.62	FE 1/8 10-32	\$2.31			CI 1/8 10-32	\$8.27	CV 1/8 10-32	\$7.11
1/8	NPT1/8			UE 1/8 N1/8	\$2.88	FC 1/8 N1/8	\$1.62	FE 1/8 N1/8	\$2.31	BC 1/8 N1/8	\$3.05	CI 1/8 N1/8	\$8.27	CV 1/8 N1/8	\$7.11
5/32	10-32UNF	EE 5/32 10-32	\$2.31	UE 5/32 10-32	\$2.88	FC 5/32 10-32	\$1.62	FE 5/32 10-32	\$2.31	BC 5/32 N1/8	\$3.05	CI 5/32 10-32	\$8.27	CV 5/32 10-32	\$7.11
5/32	NPT1/8	EE 5/32 N1/8	\$2.31	UE 5/32 N1/8	\$2.88	FC 5/32 N1/8	\$1.62	FE 5/32 N1/8	\$2.31	BC 5/32 N1/8	\$3.06			CV 5/32 N1/8	\$7.11
5/32	NPT1/4					FC 5/32 N1/4	\$1.62	FE 5/32 N1/4	\$2.31	BC 5/32 N1/4	\$3.06			CV 5/32 N1/4	\$7.11
3/16	10-32UNF			UE 3/16 10-32	\$3.46			FE 3/16 10-32	\$2.31						
3/16	NPT1/8	EE 3/16 N1/8	\$2.31	UE 3/16 N1/8	\$3.46			FE 3/16 N1/8	\$2.31	BC 3/16 N1/8	\$3.05			CV 3/16 N1/8	\$7.11
3/16	NPT1/4	EE 3/16 N1/4	\$2.31	UE 3/16 N1/4	\$3.46			FE 3/16 N1/4	\$2.31	BC 3/16 N1/4	\$3.05				
3/16	NPT3/8	EE 3/16 N3/8	\$2.92												
1/4	10-32UNF			UE 1/4 10-32	\$3.46			FE 1/4 10-32	\$2.31			CI 1/4 10-32	\$8.27	CV 1/4 10-32	\$7.11
1/4	NPT1/8	EE 1/4 N1/8	\$2.31	UE 1/4 N1/8	\$3.46	FC 1/4 N1/8	\$1.62	FE 1/4 N1/8	\$2.31	BC 1/4 N1/8	\$3.66	CI 1/4 N1/8	\$8.83	CV 1/4 N1/8	\$7.68
1/4	NPT1/4	EE 1/4 N1/4	\$2.31	UE 1/4 N1/4	\$3.94	FC 1/4 N1/4	\$1.92	FE 1/4 N1/4	\$2.49	BC 1/4 N1/4	\$4.17	CI 1/4 N1/4	\$8.83	CV 1/4 N1/4	\$7.68
1/4	NPT3/8	EE 1/4 N3/8	\$2.92					FE 1/4 N3/8	\$2.92					CV 1/4 N3/8	\$9.80
5/16	NPT1/8	EE 5/16 N1/8	\$2.48	UE 5/16 N1/8	\$3.59	FC 5/16 N1/8	\$1.85	FE 5/16 N1/8	\$2.49	BC 5/16 N1/8	\$3.80	CI 5/16 N1/8	\$8.83	CV 5/16 N1/8	\$7.68
5/16	NPT1/4	EE 5/16 N1/4	\$2.48	UE 5/16 N1/4	\$3.59	FC 5/16 N1/4	\$2.17	FE 5/16 N1/4	\$2.49	BC 5/16 N1/4	\$4.17			CV 5/16 N1/4	\$7.68
5/16	NPT3/8	EE 5/16 N3/8	\$2.73	UE 5/16 N3/8	\$4.31	FC 5/16 N3/8	\$2.19	FE 5/16 N3/8	\$2.73					CV 5/16 N3/8	\$9.80
3/8	NPT1/8			UE 3/8 N1/8	\$4.31			FE 3/8 N1/8	\$3.44						
3/8	NPT1/4	EE 3/8 N1/4	\$3.44	UE 3/8 N1/4	\$4.31	FC 3/8 N1/4	\$2.47	FE 3/8 N1/4	\$3.44	BC 3/8 N1/4	\$4.72	CI 3/8 N1/4	\$9.53	CV 3/8 N1/4	\$8.38
3/8	NPT3/8	EE 3/8 N3/8	\$3.44	UE 3/8 N3/8	\$4.64	FC 3/8 N3/8	\$3.17	FE 3/8 N3/8	\$3.44	BC 3/8 N3/8	\$5.00	CI 3/8 N3/8	\$10.95	CV 3/8 N3/8	\$9.80
3/8	NPT1/2	EE 3/8 N1/2	\$5.14			FC 3/8 N1/2	\$3.74	FE 3/8 N1/2	\$5.14			CI 3/8 N1/2	\$13.30	CV 3/8 N1/2	\$11.69
1/2	NPT1/4	EE 1/2 N1/4	\$5.14	UE 1/2 N1/4	\$5.02	FC 1/2 N1/4	\$3.74								
1/2	NPT3/8	EE 1/2 N3/8	\$5.14	UE 1/2 N3/8	\$5.02	FC 1/2 N3/8	\$3.74			BC 1/2 N3/8	\$5.65	CI 1/2 N3/8	\$12.35	CV 1/2 N3/8	\$11.20
1/2	NPT1/2	EE 1/2 N1/2	\$6.14	UE 1/2 N1/2	\$5.35					BC 1/2 N1/2	\$5.65	CI 1/2 N1/2	\$12.85	CV 1/2 N1/2	\$11.82

4 mm	M5X0.8	EE 4 M5	\$2.31	UE 4 M5	\$2.88			FE 4 M5	\$2.31					CV 4 M5	\$7.11
4 mm	M6X1	EE 4 M6	\$2.31	UE 4 M6	\$2.88			FE 4 M6	\$2.31					CV 4 M6	\$7.11
4 mm	R1/8	EE 4 R1/8	\$2.31	UE 4 R1/8	\$2.88	FC 4 R1/8	\$1.62	FE 4 R1/8	\$2.31	BC 4 R1/8	\$3.05			CV 4 R1/8	\$7.11
4 mm	R1/4	EE 4 R1/4	\$2.31	UE 4 R1/4	\$3.46	FC 4 R1/4	\$1.62	FE 4 R1/4	\$2.31	BC 4 R1/4	\$3.05			CV 4 R1/4	\$7.68
6 mm	M5X0.8	EE 6 M5	\$2.31	UE 6 M5	\$3.46			FE 6 M5	\$2.31					CV 6 M5	\$7.11
6 mm	M6X1	EE 6 M6	\$2.31	UE 6 M6	\$3.46			FE 6 M6	\$2.31					CV 6 M6	\$7.11
6 mm	R1/8	EE 6 R1/8	\$2.31	UE 6 R1/8	\$3.46	FC 6 R1/8	\$1.62	FE 6 R1/8	\$2.31	BC 6 R1/8	\$3.66	CI 6 R1/8	\$8.83	CV 6 R1/8	\$7.68
6 mm	R1/4	EE 6 R1/4	\$2.31	UE 6 R1/4	\$3.94	FC 6 R1/4	\$1.83	FE 6 R1/4	\$2.31	BC 6 R1/4	\$4.17			CV 6 R1/4	\$7.68
6 mm	R3/8	EE 6 R3/8	\$2.92	UE 6 R3/8	\$4.31	FC 6 R3/8	\$2.19	FE 6 R3/8	\$2.92	BC 6 R3/8	\$4.56			CV 6 R3/8	\$9.80
6 mm	R1/2	EE 6 R1/2	\$4.56												
8 mm	R1/8	EE 8 R1/8	\$2.48	UE 8 R1/8	\$3.59	FC 8 R1/8	\$1.85	FE 8 R1/8	\$2.48	BC 8 R1/8	\$3.80			CV 8 R1/8	\$7.68
8 mm	R1/4	EE 8 R1/4	\$2.48	UE 8 R1/4	\$3.59	FC 8 R1/4	\$1.85	FE 8 R1/4	\$2.48	BC 8 R1/4	\$4.17			CV 8 R1/4	\$7.68
8 mm	R3/8	EE 8 R3/8	\$2.92	UE 8 R3/8	\$4.31	FC 8 R3/8	\$2.19	FE 8 R3/8	\$2.73	BC 8 R3/8	\$4.56	CI 8 R3/8	\$11.39	CV 8 R3/8	\$9.80
8 mm	R1/2	EE 8 R1/2	\$4.56	UE 8 R1/2	\$5.02	FC 8 R1/2	\$3.59			BC 8 R1/2	\$5.27			CV 8 R1/2	\$9.80
10 mm	R1/8	EE 10 R1/8	\$3.44			FC 10 R1/8	\$2.47	FE 10 R1/8	\$3.44	BC 10 R1/8	\$4.17				
10 mm	R1/4	EE 10 R1/4	\$3.44	UE 10 R1/4	\$4.31	FC 10 R1/4	\$2.47	FE 10 R1/4	\$3.44	BC 10 R1/4	\$4.56	CI 10 R1/4		CV 10 R1/4	\$8.39
10 mm	R3/8	EE 10 R3/8	\$3.44	UE 10 R3/8	\$4.64	FC 10 R3/8	\$2.47	FE 10 R3/8	\$3.44	BC 10 R3/8	\$4.91	CI 10 R3/8		CV 10 R3/8	\$9.80
10 mm	R1/2	EE 10 R1/2	\$5.14	UE 10 R1/2	\$5.02	FC 10 R1/2	\$3.74	FE 10 R1/2	\$5.14	BC 10 R1/2	\$5.27	CI 10 R1/2		CV 10 R1/2	\$11.69
12 mm	R1/4	EE 12 R1/4	\$5.14	UE 12 R1/4	\$5.02	FC 12 R1/4	\$3.74	FE 12 R1/4	\$5.14	BC 12 R1/4	\$4.91	CI 12 R1/4		CV 12 R1/4	\$11.20
12 mm	R3/8	EE 12 R3/8	\$5.14	UE 12 R3/8	\$5.02	FC 12 R3/8	\$3.74	FE 12 R3/8	\$5.14	BC 12 R3/8	\$5.27	CI 12 R3/8		CV 12 R3/8	\$11.20
12 mm	R1/2	EE 12 R1/2	\$5.14	UE 12 R1/2	\$5.36	FC 12 R1/2	\$3.74	FE 12 R1/2	\$5.14	BC 12 R1/2	\$5.65	CI 12 R1/2		CV 12 R1/2	\$11.69

Composite Push-In Air Fittings List Price



Composite Fittings																	
Model	Flow Control Valve (Inline)		Bulkhead Union		Cross Union		Elbow Union		Straight Union		Tee Union		Y Union				
Tube OD	FV		BU		CU		EU		SU		TU		YU				
1/8	FV 1/8	\$8.25	BU 1/8	\$3.00	CU 1/8	\$3.54	EU 1/8	\$1.53	SU 1/8	\$1.53	TU 1/8	\$2.26	YU 1/8	\$2.26			
5/32	FV 5/32	\$8.25	BU 5/32	\$3.00	CU 5/32	\$3.54	EU 5/32	\$1.53	SU 5/32	\$1.53	TU 5/32	\$2.26	YU 5/32	\$2.26			
3/16	FV 3/16	\$8.25	BU 3/16	\$3.00	CU 3/16	\$3.54	EU 3/16	\$1.53	SU 3/16	\$1.53	TU 3/16	\$2.26	YU 3/16	\$2.26			
1/4	FV 1/4	\$8.50	BU 1/4	\$3.00	CU 1/4	\$3.54	EU 1/4	\$1.60	SU 1/4	\$1.60	TU 1/4	\$2.26	YU 1/4	\$2.26			
5/16	FV 5/16	\$8.50	BU 5/16	\$3.63	CU 5/16	\$3.54	EU 5/16	\$1.87	SU 5/16	\$1.83	TU 5/16	\$2.26	YU 5/16	\$2.26			
3/8	FV 3/8	\$9.43	BU 3/8	\$4.39	CU 3/8	\$4.43	EU 3/8	\$2.12	SU 3/8	\$2.12	TU 3/8	\$2.81	YU 3/8	\$2.81			
1/2	FV 1/2	\$13.11	BU 1/2	\$4.51	CU 1/2	\$5.49	EU 1/2	\$2.48	SU 1/2	\$2.47	TU 1/2	\$3.52	YU 1/2	\$3.52			
4 mm	FV 04	\$8.50	BU 4	\$3.00	CU 4	\$3.54	EU 4	\$1.53	SU 4	\$1.53	TU 4	\$2.26	YU 4	\$2.26			
6 mm	FV 06	\$8.50	BU 6	\$3.00	CU 6	\$3.54	EU 6	\$1.60	SU 6	\$1.60	TU 6	\$2.26	YU 6	\$2.26			
8 mm	FV 08	\$8.61	BU 8	\$3.64	CU 8	\$4.43	EU 8	\$1.87	SU 8	\$1.83	TU 8	\$2.26	YU 8	\$2.26			
10 mm	FV 10	\$12.43	BU 10	\$4.39	CU 10	\$5.24	EU 10	\$2.12	SU 10	\$2.12	TU 10	\$2.81	YU 10	\$2.81			
12 mm	FV 12	\$13.81	BU 12	\$4.51	CU 12	\$5.49	EU 12	\$2.47	SU 12	\$2.48	TU 12	\$3.52	YU 12	\$3.52			
Composite Fittings																	
Model	Elbow Reducer (Tube-Stem)		Plug In Elbow		Male Manifold		Manifold Union		Reduced Branch		Reduced Union		Tee Union Reducer				
Tube OD	ER		PE		MM		MU		RB		RU		TU				
1/8	ER 1/8-5/32	\$2.95															
5/32	ER 5/32-1/4	\$2.95	PE 5/32	\$2.95			MU 5/32X1/8	\$4.57	RB 5/32-1/8	\$2.95	RU 5/32-1/8	\$1.83	TU 5/32-1/8	\$2.95			
3/16									RB 3/16-5/32	\$2.81	RU 3/16-5/32	\$1.83					
1/4	ER 1/4-5/16	\$2.95	PE 1/4	\$2.95	MM 1/4-5/32-N1/8	\$5.07	MU 1/4x1/8	\$4.57	RB 1/4-5/32	\$2.95	RU 1/4-5/32	\$1.83	TU 1/4-5/32	\$2.95			
	ER 1/4-3/8	\$2.10					MU 1/4X5/32	\$4.57	RB 1/4-3/16	\$2.95	RU 1/4-3/16	\$2.12					
5/16			PE 5/16	\$2.95	MM 5/16-5/32-N1/4	\$5.20	MU 5/16X5/32	\$4.57									
					MM 5/16-1/4-N1/4	\$5.20	MU 5/16X1/4	\$4.57	RB 5/16-1/4	\$2.95	RU 5/16-1/4	\$2.12	TU 5/16-1/4	\$2.95			
3/8			PE 3/8	\$5.24			MU 3/8X1/4	\$6.34	RB 3/8-1/4	\$3.52	RU 3/8-1/4	\$2.47	TU 3/8-1/4	\$3.52			
									RB 3/8-5/16	\$3.52	RU 3/8-5/16	\$2.47	TU 3/8-5/16	\$3.52			
1/2			PE 1/2	\$5.24					RB 1/2-3/8	\$4.22	RU 1/2-3/8	\$2.81	TU 1/2-3/8	\$4.21			
4 mm	ER 4-6	\$2.95															
6 mm	ER 6-8	\$2.95			MM 06-04-R1/8	\$5.20	MU 6-4	\$4.57	RB 6-4	\$2.95	RU 6-4	\$1.83	TU 6-4	\$2.95			
8 mm	ER 8-10	\$3.52	PE 6	\$2.39	MM 08-04-R1/4	\$5.20	MU 8-4	\$4.57									
					MM 08-06-R1/4	\$6.72	MU 8-6	\$5.20	RB 8-6	\$2.95	RU 8-6	\$2.12	TU 8-6	\$2.95			
10 mm	ER 10-12	\$4.21			MM 10-08-R3/8	\$7.10	MU 10-6	\$5.96			RU 10-6	\$2.48					
12 mm							MU 10-8	\$5.96	RB 10-8	\$3.52	RU 10-8	\$2.48	TU 10-8	\$3.52			
									RB 12-10	\$4.22	RU 12-10	\$2.81	TU 12-10	\$4.21			
Composite Fittings																	
Model	Plug		Stem Coupler		Stem Reducer		Tube Reducer (Tube-Stem)		Y Reducer (Tube Stem)		Model		Stack Elbow		Male Angle		
Tube OD	PG		SC		SR		TR		YR		Tube OD	Pipe Size	SE		MA		
1/8	PG 1/8	\$0.64									1/8	10-32			MA 1/8 10-32	\$2.04	
5/32	PG 5/32	\$0.64	SC 5/32	\$0.75	SR 5/32-1/4	\$1.01	TR 5/32-1/4	\$1.93	YR 5/32-1/4	\$2.62	1/8	NPT1/8			MA 1/8 N1/8	\$2.04	
3/16	PG 3/16	\$0.64									5/32	10-32	SE 5/32 10-32	\$4.44	MA 5/32 10-32	\$2.04	
1/4	PG 1/4	\$0.64	SC 1/4	\$0.75	SR 1/4-5/16	\$1.27	TR 1/4-5/16	\$2.28	YR 1/4-5/16	\$4.88	5/32	NPT1/8			MA 5/32 N1/8	\$2.04	
1/4					SR 1/4-3/8	\$1.27					5/32	NPT1/4			MA 5/32 N1/4	\$2.04	
5/16	PG 5/16	\$0.75	SC 5/16	\$1.01	SR 5/16-3/8	\$1.27				YR 5/16-3/8	\$6.65	1/4	NPT1/8	SE 1/4 N1/8	\$3.94	MA 1/4 N1/8	\$2.04
3/8	PG 3/8	\$0.75	SC 3/8	\$1.01	SR 3/8-1/2	\$1.27	TR 3/8-1/2	\$3.08				1/4	NPT1/4	SE 1/4 N1/4	\$4.48	MA 1/4 N1/4	\$2.04
1/2	PG 1/2	\$0.92	SC 1/2	\$1.08								1/4	NPT3/8			MA 1/4 N3/8	\$2.56
4 mm	PG 4	\$0.64	SC 4	\$0.75								5/16	NPT1/4			MA 5/16 N1/4	\$1.67
6 mm	PG 6	\$0.64	SC 6	\$0.75	SR 4-6	\$1.27	TR 4-6	\$1.93				5/16	NPT3/8	SE 5/16 N3/8	\$4.31		
8 mm	PG 8	\$0.74	SC 8	\$1.01	SR 6-8	\$1.01	TR 6-8	\$2.28				3/8	NPT1/8			MA 3/8 N1/8	\$2.56
10 mm	PG10	\$0.75	SC10	\$1.01	SR 8-10	\$1.27	TR 8-10	\$2.28				3/8	NPT1/4	SE 3/8 N1/4	\$4.31	MA 3/8 N1/4	\$2.56
12 mm	PG 12	\$0.75	SC 12	\$1.01			TR 10-12	\$3.08				3/8	NPT3/8			MA 3/8 N3/8	\$2.80
												1/2	NPT3/8	SE 1/2 N3/8	\$5.03		
												1/2	NPT1/2	SE 1/2 N1/2	\$5.35	MA 1/2 N1/2	\$3.21

A. Installation of Pipe Fittings:

1. Tighten fitting by hand, then turn it 2-3 turns with a wrench until it reaches the desired torque listed. If the fittings is not pre-coated with sealant, or is used and the sealant is not in good condition, apply Teflon sealant tape to the threads.

Recommendation of Torque for Tightening Fittings		
Fitting Thread Size	Torque, lb-ft	Torque, kgf/cm
10-32, M5 –M6	1.0 – 1.5	14 – 21
NPT1/8, R1/8	5 – 6.5	70 – 90
NPT1/4, R1/4	8.5 – 10	120 – 140
NPT3/8, R3/8	16 – 17.5	220 – 240
NPT1/2, R1/2	20 – 21.5	280 – 300

B. Installation of Tubing into Fitting:

1. Slowly push a clean and perpendicularly cut tube into the fitting until it comes to a dead stop.
2. Gently pull the tubing back until the Grip Ring or Collet of the fitting grips onto the tubing and has a good seal.
3. Use Polyethylene, Polypropylene, Polyurethane, or Nylon tubing designed for instant fittings.

C. Removal of Tubing from Fitting:

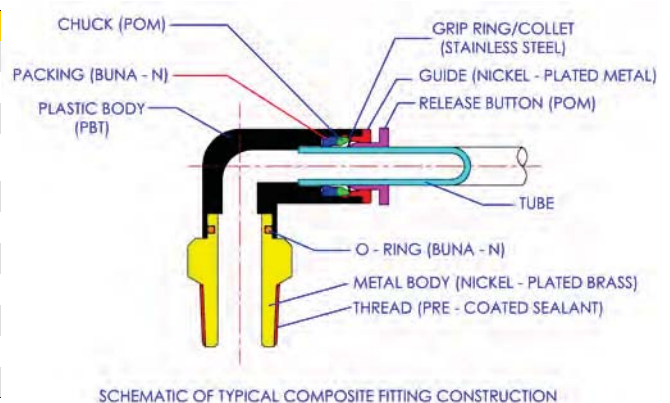
1. Push in evenly on the two long, oval sides of the Release Button.
2. Pull out the tube while depressing the Release Button.
3. To reuse the tubing, cut off the lodged portion of the previously used tubing in an even and perpendicular fashion.

D. Recommended Tubing Material, Size, and Hardness Requirements:

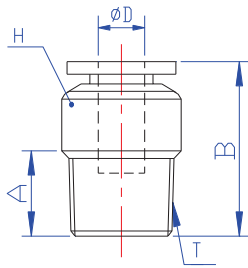
Tubing Material	Specified Size	Hardness (Durometer)
Polyurethane	+/- 0.006" (+/-0.15 mm)	Shore A 85 or higher
Polyethylene	+/- 0.004" (+/-0.1 mm)	Shore D 44—D75
Polypropylene	+/- 0.004" (+/-0.1 mm)	Shore D 44—D75
Nylon	+/- 0.004" (+/-0.1 mm)	Shore D 44—D75
Pre-grooved Metal Tubing	+/- 0.004" (+/-0.1 mm)	

E. Specifications, Materials of Construction, and Schematic of Typical Construction:

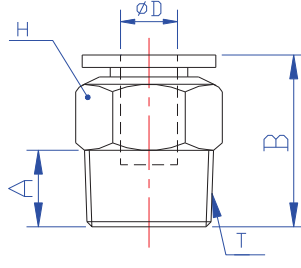
Specifications	
Operating Pressure Range	0 - 180 PSI (0 - 1200 kpa)
Vacuum	0 - 29.5" Hg (750 mm Hg)
Operating Temperature	32 - 140°F (0 - 60 °C)
Recommended Tubing Material	Polyurethane, Nylon, Polyethylene, Polypropylene
Metal Body	Brass, Nickel Plated
Plastic Body	PBT (Polybutylene terephthalate)
Release Button	POM (Poly oxy methylene copolymer)
Grip Ring or Collet	300 series Stainless Steel
O-ring	NBR (Buna-N)
Thread Sealant	Teflon
Service	FOR AIR ONLY



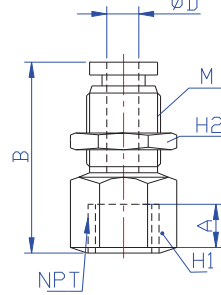
Composite Push-In Air Fittings Dimensions



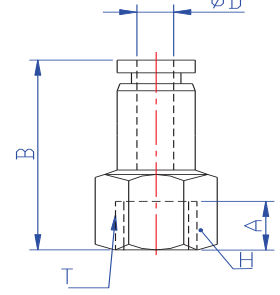
Compact Male Connector (CC)



Male Connector (MC)



Bulkhead Connector (BC)



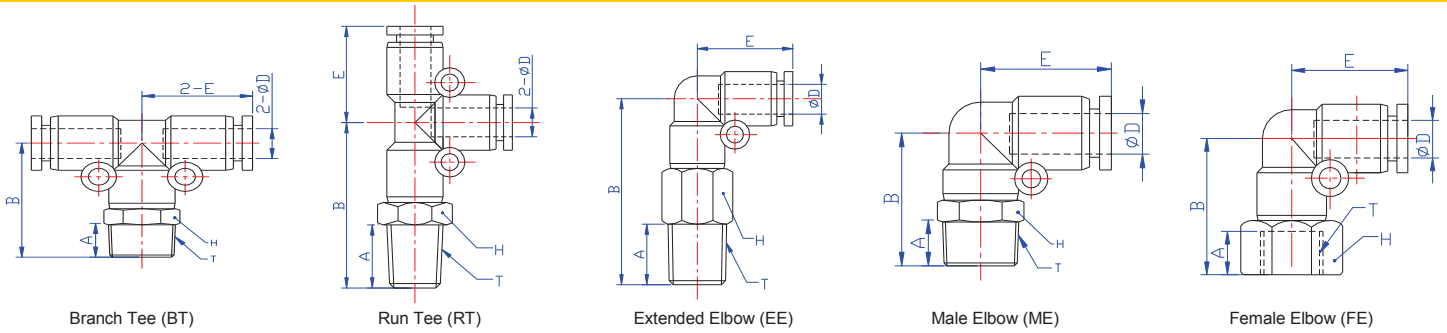
Female Connector (FC)

Model	Compact Male Connector					Male Connector				Bulkhead Connector					Female Connector						
	ØD	T	Part No.	A	B	H	Part No.	A	B	H	Part No.	M	A	H1	H2	B	Part No.	A	B	H	
5/32	10-32UNF		CC 5/32 10-32	3.8	20.3	Ø10.0	MC 5/32 10-32	3.8	20.3	11.1											
5/32	NPT1/8		CC 5/32 N1/8	7.5	19.8	Ø10.0	MC 5/32 N1/8	7.5	19.8	11.1	BC 5/32 N1/8	M12	7.5	14.3	14.3	23.8	FC 5/32 N1/8	7.5	23.8	14.3	
5/32	NPT1/4		CC 5/32 N1/4				MC 5/32 N1/4	10.5	18.9	14.3							FC 5/32 N1/4	10.5	26.8	17.4	
3/16	10-32UNF		CC 3/16 10-32				MC 3/16 10-32	3.8	20.9	11.1											
3/16	NPT1/8		CC 3/16 N1/8				MC 3/16 N1/8	7.5	20.6	11.1	BC 3/16 N1/8	M14	7.5	14.3	17.4	24.7	FC 3/16 N1/8	7.5	24.4	14.3	
3/16	NPT1/4		CC 3/16 N1/4				MC 3/16 N1/4	10.5	23.7	14.3	BC 3/16 N1/4	M14	10.5	17.4	17.4	30.4	FC 3/16 N1/4	10.5	27.4	17.4	
3/16	NPT3/8		CC 3/16 N3/8				MC 3/16 N3/8	11	21.2	17.4											
1/4	10-32UNF		CC 1/4 10-32	3.8	21.2	Ø12.0	MC 1/4 10-32	3.8	21.2	12.7											
1/4	NPT1/8		CC 1/4 N1/8	7.5	20.9	Ø12.0	MC 1/4 N1/8	7.5	20.9	12.7	BC 1/4 N1/8	M14	7.5	17.4	17.4	24.7	FC 1/4 N1/8	7.5	24.9	14.3	
1/4	NPT1/4		CC 1/4 N1/4	10.5	23.7	Ø14.0	MC 1/4 N1/4	10.5	23.7	14.3	BC 1/4 N1/4	M14	10.5	17.4	17.4	30.4	FC 1/4 N1/4	10.5	27.9	17.4	
1/4	NPT3/8		CC 1/4 N3/8				MC 1/4 N3/8	11	21.2	17.4											
5/16	NPT1/8		CC 5/16 N1/8	7.5	25.9	Ø14.0	MC 5/16 N1/8	7.5	25.9	14.3	BC 5/16 N1/8	M16	7.5	19	19	27.9	FC 5/16 N1/8	7.5	26.4	14.3	
5/16	NPT1/4		CC 5/16 N1/4	10.5	25.9	Ø14.0	MC 5/16 N1/4	10.5	25.9	14.3	BC 5/16 N1/4	M16	10.5	19	19	35.9	FC 5/16 N1/4	10.5	29.4	17.4	
5/16	NPT3/8		CC 5/16 N3/8	11	22.4	Ø17.0	MC 5/16 N3/8	11	22.4	17.4	BC 5/16 N3/8	M16	11	19	19	35.4	FC 5/16 N3/8	11	29.9	22.2	
3/8	NPT1/8		CC 3/8 N1/8				MC 3/8 N1/8	7.5	28.2	17.4											
3/8	NPT1/4		CC 3/8 N1/4	10.5	30.5	Ø17.0	MC 3/8 N1/4	10.5	30.5	17.4	BC 3/8 N1/4	M20	10.5	22.2	22.2	31.9	FC 3/8 N1/4				
3/8	NPT3/8		CC 3/8 N3/8	11	27.5	Ø17.0	MC 3/8 N3/8	11	27.5	17.4	BC 3/8 N3/8	M20	11	22.2	22.2	34.7	FC 3/8 N3/8				
3/8	NPT1/2		CC 3/8 N1/2	14	25.8	Ø21.0	MC 3/8 N1/2	14	25.8	22.2											
1/2	NPT1/4		CC 1/2 N1/4	10.5	33.9	Ø21.0	MC 1/2 N1/4	10.5	33.9	22.2							FC 1/2 N1/4				
1/2	NPT3/8		CC 1/2 N3/8	11	30.4	Ø21.0	MC 1/2 N3/8	11	30.4	22.2	BC 1/2 N3/8	M22	11	25.4	25.4	35.4	FC 1/2 N3/8				
1/2	NPT1/2		CC 1/2 N1/2	14	33.4	Ø21.0	MC 1/2 N1/2	14	33.4	22.2	BC 1/2 N1/2	M22	14	25.4	25.4	41.4					

ØD	T	Part No.	B	H	Part No.	B	H	Part No.	H1	H2	B	Part No.	B	H
4	M5	CC 4 M5	22.8	10	MC 4 M5	22.8	10							
4	M6	CC 4 M6	24.3	10	MC 4 M6	24.3	10							
4	R1/8	CC 4 R1/8	20.9	10	MC 4 R1/8	20.9	10	BC 4 R1/8	14	14	27.5	FC 4 1/8	27.5	12
4	R1/4	CC 4 R1/4	23.6	14	MC 4 R1/4	23.6	14	BC 4 R1/4	19	14	30.1	FC 4 R1/4	30.1	17
6	M5	CC 6 M5	24.1	12	MC 6 M5	24.1	12							
6	M6	CC 6 M6	25.8	12	MC 6 M6	25.8	12							
6	R1/8	CC 6 R1/8	22.3	12	MC 6 R1/8	22.3	12	BC 6 R1/8	17	17	28.8	FC 6 R1/8	28.8	14
6	R1/4	CC 6 R1/4	22.2	14	MC 6 R1/4	22.2	14	BC 6 R1/4	17	17	29.2	FC 6 R1/4	29.2	17
6	R3/8	CC 6 R3/8	24.1	17	MC 6 R3/8	24.1	17	BC 6 R3/8	19	17	31.2	FC 6 R3/8	31.2	19
6	R1/2	CC 6 R1/2	28.4	21	MC 6 R1/2	28.4	21							
8	R1/8	CC 8 R1/8	26.2	14	MC 8 R1/8	26.2	14	BC 8 R1/8	17	19	29.6	FC 8 R1/8	29.6	10
8	R1/4	CC 8 R1/4	25.7	14	MC 8 R1/4	25.7	14	BC 8 R1/4	17	19	30.5	FC 8 R1/4	30.5	17
8	R3/8	CC 8 R3/8	28.1	17	MC 8 R3/8	28.1	17	BC 8 R3/8	19	19	31.7	FC 8 R3/8	31.7	19
8	R1/2	CC 8 R1/2	28.0	21	MC 8 R1/2	28.0	21	BC 8 R1/2	24	19	36.8	FC 8 R1/2	36.8	24
10	R1/8	CC 10 R1/8	28.5	17	MC 10 R1/8	28.5	17	BC 10 R1/8	21	24	31.5	FC 10 R1/8	31.5	19
10	R1/4	CC 10 R1/4	30.0	17	MC 10 R1/4	30.0	17	BC 10 R1/4	21	24	32.7	FC 10 R1/4	32.7	19
10	R3/8	CC 10 R3/8	30.8	17	MC 10 R3/8	30.8	17	BC 10 R3/8	21	24	38.4	FC 10 R3/8	38.4	19
10	R1/2	CC 10 R1/2	29.6	21	MC 10 R1/2	29.6	21	BC 10 R1/2	24	24	38.4	FC 10 R1/2	38.4	24
12	R1/4	CC 12 R1/4	34.7	19	MC 12 R1/4	34.7	19	BC 12 R1/4	24	26	33.2	FC 12 R1/4	33.2	21
12	R3/8	CC 12 R3/8	30.5	19	MC 12 R3/8	30.5	19	BC 12 R3/8	24	26	37.0	FC 12 R3/8	37.0	21
12	R1/2	CC 12 R1/2	29.9	21	MC 12 R1/2	29.9	21	BC 12 R1/2	24	26	37.7	FC 12 R1/2	37.7	24

Units in mm

Composite Push-In Air Fittings Dimensions

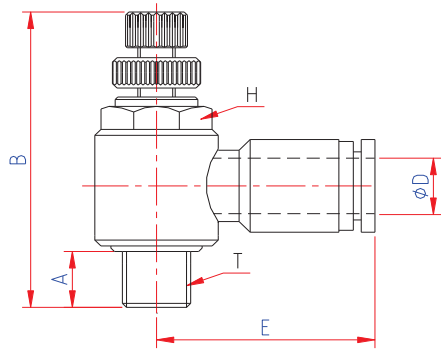


Model				Branch Tee & Run Tee				Extended Elbow			Male Elbow			Female Elbow				
				BT / RT		EE		ME		FE								
ΦD	T	A	H	Part No.	Part No.	B	E	Part No.	B	E	Part No.	B	E	Part No.	B	E	H	
5/32	10-32UNF	3.8	11.1	BT 5/32 10-32	RT 5/32 10-32	23	18.5	EE5/32 10-32	33.5	17.5	ME 5/32 10-32	22	17.5	FE 5/32 10-32				
5/32	NPT1/8	7.5	11.1	BT 5/32 N1/8	RT 5/32 N1/8	25	18.5	EE 5/32 N1/8	36	17.5	ME 5/32 N1/8	24	17.5	FE 5/32 N1/8	23.5	17.5	14.3	
5/32	NPT1/4	10.5	14.3	BT 5/32 N1/4	RT 5/32 N1/4	29	18.5				ME 5/32 N1/4	28	17.5	FE 5/32 N1/4				
3/16	10-32UNF	3.8	11.1	BT 3/16 10-32	RT 3/16 10-32	23	18.8				ME 3/16 10-32	22	17.8	FE 3/16 10-32				
3/16	NPT1/8	7.5	11.1	BT 3/16 N1/8	RT 3/16 N1/8	25.5	18.8	EE 3/16 N1/8	36	17.8	ME 3/16 N1/8	24.5	17.8	FE 3/16 N1/8	23.8	17.8	14.3	
3/16	NPT1/4	10.5	14.3	BT 3/16 N1/4	RT 3/16 N1/4	29	18.8	EE 3/16 N1/4	39.5	17.8	ME 3/16 N1/4	28	17.8	FE 3/16 N1/4	26.5	17.8	17.4	
3/16	NPT3/8	11	17.4	BT 3/16 N3/8	RT 3/16 N3/8	30	18.8	EE 3/16 N3/8	40.5	17.8	ME 3/16 N3/8	29	17.8					
1/4	10-32UNF	3.8	12.7	BT 1/4 10-32	RT 1/4 10-32	24.7	19.3				ME 1/4 10-32	24.4	19	FE 1/4 10-32				
1/4	NPT1/8	7.5	12.7	BT 1/4 N1/8	RT 1/4 N1/8	26	19.3	EE 1/4 N1/8	39.7	19	ME 1/4 N1/8	25.7	19	FE 1/4 N1/8	24.9	19	14.3	
1/4	NPT1/4	10.5	14.3	BT 1/4 N1/4	RT 1/4 N1/4	29.5	19.3	EE 1/4 N1/4	43.2	19	ME 1/4 N1/4	29.2	19	FE 1/4 N1/4	27.9	19	17.4	
1/4	NPT3/8	11	17.4	BT 1/4 N3/8	RT 1/4 N3/8	30.5	19.3	EE 1/4 N3/8	44.2	19	ME 1/4 N3/8	30.2	19	FE 1/4 N3/8				
5/16	NPT1/8	7.5	14.3	BT 5/16 N1/8	RT 5/16 N1/8	29.45	22.75	EE 5/16 N1/8	44.8	22.8	ME 5/16 N1/8	29.5	22.8	FE 5/16 N1/8	27.5	22.8	14.3	
5/16	NPT1/4	10.5	14.3	BT 5/16 N1/4	RT 5/16 N1/4	32.45	22.75	EE 5/16 N1/4	47.8	22.8	ME 5/16 N1/4	32.5	22.8	FE 5/16 N1/4	31	22.8	17.4	
5/16	NPT3/8	11	17.4	BT 5/16 N3/8	RT 5/16 N3/8	33.45	22.75	EE 5/16 N3/8	48.8	22.8	ME 5/16 N3/8	33.5	22.8	FE 5/16 N3/8	32	22.8	22.2	
3/8	NPT1/8	7.5	17.4	BT 3/8 N1/8	RT 3/8 N1/8	35	27				ME 3/8 N1/8	34.3	26.3					
3/8	NPT1/4	10.5	17.4	BT 3/8 N1/4	RT 3/8 N1/4	38	27	EE 3/8 N1/4	56.3	26.3	ME 3/8 N1/4	37.3	26.3	FE 3/8 N1/4	35.3	26.3	17.4	
3/8	NPT3/8	11	17.4	BT 3/8 N3/8	RT 3/8 N3/8	38.5	27	EE 3/8 N3/8	57.8	26.3	ME 3/8 N3/8	37.8	26.3	FE 3/8 N3/8	35.8	26.3	22.2	
3/8	NPT1/2	14	22.2	BT 3/8 N1/2	RT 3/8 N1/2	42	27	EE 3/8 N1/2	61.3	26.3	ME 3/8 N1/2	41.3	26.3	FE 3/8 N1/2				
1/2	NPT1/4	10.5	22.2	BT 1/2 N1/4	RT 1/2 N1/4	39.5	29.6	EE 1/2 N1/4	62.5	29.6	ME 1/2 N1/4	39.5	29.6					
1/2	NPT3/8	11	22.2	BT 1/2 N3/8	RT 1/2 N3/8	40	29.6	EE 1/2 N3/8	63	29.6	ME 1/2 N3/8	40	29.6	FE 1/2-N3/8	37.5	29.6	22.2	
1/2	NPT1/2	14	22.2	BT 1/2 N1/2	RT 1/2 N1/2	43	29.6	EE 1/2 N1/2	66	29.6	ME 1/2 N1/2	43	29.6	FE 1/2-N1/2	40.5	29.6	25.4	

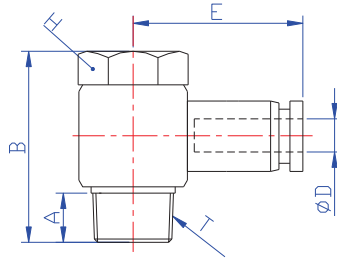
ΦD	Pipe Size	E	Part No.	Part No.	B	H	Part No.	B1	H	Part No.	B	H	Part No.	B2	H2
4	M5	18.1	BT 4 M5	RT 4 M5	23.0	10	EE 4 M5	36.1	10	ME 4 M5	23.0	10	FE 4 M5	20.9	10
4	M6	18.1	BT 4 M6	RT 4 M6	22.4	10	EE 4 M6	35.2	10	ME 4 M6	22.4	10	FE 4 M6	20.7	10
4	R1/8	18.1	BT 4 R1/8	RT 4 R1/8	26.1	10	EE 4 R1/8	36.8	10	ME 4 R1/8	26.1	10	FE 4 R1/8	22.3	12
4	R1/4	18.1	BT 4 R1/4	RT 4 R1/4	27.7	14	EE 4 R1/4	36.4	14	ME 4 R1/4	27.7	14	FE 4 R1/4	28.1	17
6	M5	21.1	BT 6 M5	RT 6 M5	25.8	12	EE 6 M5	39.0	12	ME 6 M5	25.8	12	FE 6 M5	23.0	12
6	M6	21.1	BT 6 M6	RT 6 M6	26.4	12	EE 6 M6	39.6	12	ME 6 M6	26.4	12	FE 6 M6	23.1	12
6	R1/8	21.1	BT 6 R1/8	RT 6 R1/8	28.1	12	EE 6 R1/8	38.8	12	ME 6 R1/8	28.1	12	FE 6 R1/8	26.0	14
6	R1/4	21.1	BT 6 R1/4	RT 6 R1/4	29.2	14	EE 6 R1/4	45.0	14	ME 6 R1/4	29.2	14	FE 6 R1/4	28.5	17
6	R3/8	21.1	BT 6 R3/8	RT 6 R3/8	31.7	17	EE 6 R3/8	44.9	17	ME 6 R3/8	31.7	17	FE 6 R3/8	33.4	19
6	R1/2	21.1	BT 6 R1/2	RT 6 R1/2	34.9	21	EE 6 R1/2	48.1	21	ME 6 R1/2	34.9	21			
8	R1/8	23.1	BT 8 R1/8	RT 8 R1/8	30.1	14	EE 8 R1/8	42.2	14	ME 8 R1/8	30.1	14			
8	R1/4	23.1	BT 8 R1/4	RT 8 R1/4	30.8	14	EE 8 R1/4	46.7	14	ME 8 R1/4	30.8	14	FE 8 R1/8	28.6	14
8	R3/8	23.1	BT 8 R3/8	RT 8 R3/8	33.6	17	EE 8 R3/8	46.5	17	ME 8 R3/8	33.6	17	FE 8 R1/4	30.0	17
8	R1/2	23.1	BT 8 R1/2	RT 8 R1/2	35.2	21	EE 8 R1/2	52.7	21	ME 8 R1/2	35.2	21	FE 10 R1/8	30.7	17
10	R1/8	27.9	BT 10 R1/8	RT 10 R1/8	32.6	17	EE 10 R1/8	53.1	17	ME 10 R1/8	32.6	17			
10	R1/4	27.9	BT 10 R1/4	RT 10 R1/4	35.1	17	EE 10 R1/4	56.3	17	ME 10 R1/4	35.1	17	FE 10 R1/4	31.1	17
10	R3/8	27.9	BT 10 R3/8	RT 10 R3/8	36.6	17	EE 10 R3/8	57.0	17	ME 10 R3/8	36.6	17	FE 10 R3/8	34.4	19
10	R1/2	27.9	BT 10 R1/2	RT 10 R1/2	38.6	21	EE 10 R1/2		21	ME 10 R1/2	38.6	21	FE 10 R1/2	37.8	24
12	R1/4	28.3	BT 12 R1/4	RT 12 R1/4	35.2	19	EE 12 R1/4	62.6	19	ME 12 R1/4	35.2	19	FE 12 R1/4	36.4	19
12	R3/8	28.3	BT 12 R3/8	RT 12 R3/8	37.5	19	EE 12 R3/8	62.9	19	ME 12 R3/8	37.5	19	FE 12 R3/8	39.0	19
12	R1/2	28.3	BT 12 R1/2	RT 12 R1/2	39.8	21	EE 12 R1/2		21	ME 12 R1/2	39.8	21	FE 12 R1/2	42.8	24

Units in mm

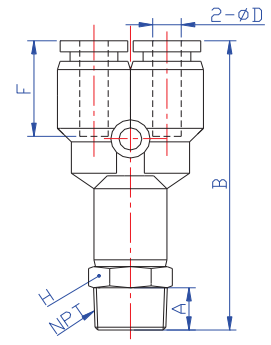
Composite Push-In Air Fittings Dimensions



CI = Air Control Valve (Meter-In)
CV = Air Control Valve (Meter-Out)



Universal Elbow (UE)

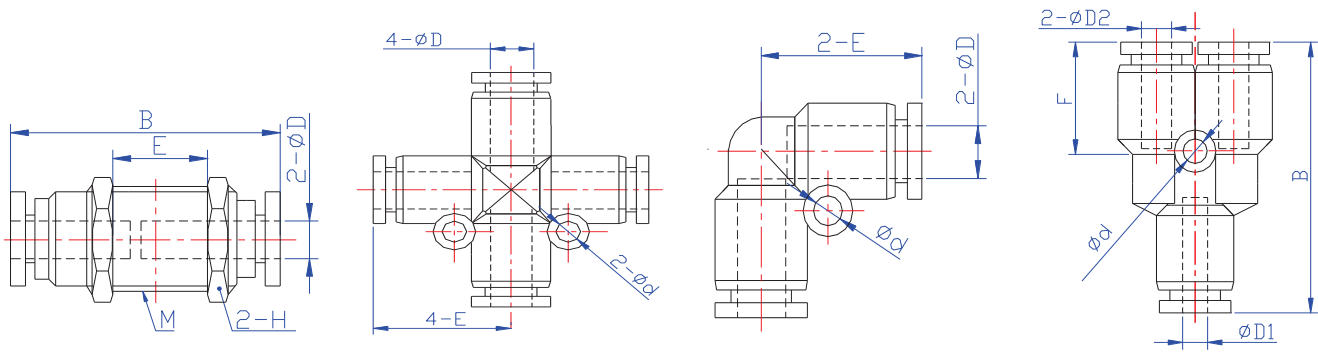


Y Connector (YC)

Model				Control Valve (Meter-In & Meter-Out)			Universal Elbow			Y Connector				
ØD	T	A	H	CI / CV			UE			YC				
				Part No. (CI/CV)	B	E	Part No.	B	E	Part No.	A	B	F	H
5/32	10-32	3.8	8	CV 5/32 10-32	29.3	20	UE 5/32 10-32	17	20	YC 5/32 10-32	3.8	40	14	11.1
5/32	NPT1/8	7.5	11.1	CV 5/32 N1/8	40.1	22.6	UE 5/32 N1/8	23.5	22.3	YC 5/32 N1/8	7.5	42	14	11.1
5/32	NPT1/4									YC 5/32 N1/4	10.5	46	14	14.3
3/16	10-32	3.8	8				UE 3/16 10-32	17	20.3	YC 3/16 10-32	3.8	40.3	14.3	11.1
3/16	NPT1/8	7.5	11.1				UE 3/16 N1/8	23.5	22.6	YC 3/16 N1/8	7.5	42.8	14.3	11.1
3/16	NPT1/4	10.5	14.3				UE 3/16 N1/4	27.3	24.3	YC 3/16 N1/4	10.5	46.3	14.3	14.3
3/16	NPT3/8									YC 3/16 N3/8	11	47.3	14.3	17.4
1/4	10-32	3.8	8	CV 1/4 10-32	29.3	22				YC 1/4 10-32	3.8	42.5	14.8	12.7
1/4	NPT1/8	7.5	11.1	CV 1/4 N1/8	40.1	23.1	UE 1/4 N1/8	23.5	23.1	YC 1/4 N1/8	7.5	43.8	14.8	12.7
1/4	NPT1/4	10.5	14.3	CV 1/4 N1/4	47.2	25.1	UE 1/4 N1/4	27.3	25.1	YC 1/4 N1/4	10.5	47.3	14.8	14.3
1/4	NPT3/8	11	19	CV 1/4 N3/8	53.9	26.8				YC 1/4 N3/8	11	48.3	14.8	17.4
5/16	NPT1/8	7.5	11.1	CV 5/16 N1/8	40.1	25.6	UE 5/16 N1/8	23.5	25.6	YC 5/16 N1/8	7.5	47.1	18.2	14.3
5/16	NPT1/4	10.5	14.3	CV 5/16 N1/4	47.2	28.6	UE 5/16 N1/4	27.3	28.6	YC 5/16 N1/4	10.5	50.1	18.2	14.3
5/16	NPT3/8	11	19	CV 5/16 N3/8	53.9	29.6	UE 5/16 N3/8	32.4	29.6	YC 5/16 N3/8	11	51.1	18.2	17.4
3/8	NPT1/8									YC 3/8 N1/8	7.5	55.1	19.5	17.4
3/8	NPT1/4	10.5	14.3	CV 3/8 N1/4	47.2	31	UE 3/8 N1/4	27.3	31	YC 3/8 N1/4	10.5	58.1	19.5	17.4
3/8	NPT3/8	11	19	CV 3/8 N3/8	53.9	31.6	UE 3/8 N3/8	32.4	31.6	YC 3/8 N3/8	11	58.6	19.5	17.4
3/8	NPT1/2	14	25.4	CV 3/8 N1/2	58.4	34.6				YC 3/8 N1/2	14	62.1	19.5	22.2
1/2	NPT1/4									YC 1/2 N1/4	10.5	63.1	21.6	22.2
1/2	NPT3/8	11	19	CV 1/2 N3/8	53.9	35.6	UE 1/2 N3/8	32.4	35.6	YC 1/2 N3/8	11	63.6	21.6	22.2
1/2	NPT1/2	14	25.4	CV 1/2 N1/2	58.4	36.6	UE 1/2 N1/2	39.1	36.6	YC 1/2 N1/2	14	66.6	21.6	22.2

ØD	T		H	Part No. (CV/CI)	E	Part No.		Part No.		B	F	H
4	M5		8	CV 4 M5	20.7	UE 4 M5		YC 4 M5		38.8	13.8	10
4	M6		8	CV 4 M6	20.6	UE 4 M6		YC 4 M6		38.5	13.9	10
4	R1/8		10	CV 4 R1/8	22.2	UE 4 R1/8		YC 4 1/8		40.1	14.3	10
4	R1/4		14	CV 4 R1/4	27.3	UE 4 R1/4		YC 4 R1/4		42.5	13.9	14
6	M5		8	CV 6 M5	23.1	UE 6 M5		YC 6 M5		41.6	15.5	12
6	M6		8	CV 6 M6	23.8	UE 6 M6		YC 6 M6		42.8	15.3	12
6	R1/8		10	CV 6 R1/8	23.6	UE 6 R1/8		YC 6 R1/8		44.3	15.5	12
6	R1/4		14	CV 6 R1/4	25.5	UE 6 R1/4		YC 6 R1/4		44.8	15.3	14
6	R3/8		19	CV 6 R3/8	27.8	UE 6 R3/8		YC 6 R3/8		47.6	15.4	17
6	R1/2							YC 6 R1/2		50.6	15.1	21
8	R1/8		10	CV 8 R1/8	26.5	UE 8 R1/8		YC 8 R1/8		45.4	16.9	14
8	R1/4		14	CV 8 R1/4	27.8	UE 8 R1/4		YC 8 R1/4		46.4	16.9	14
8	R3/8		19	CV 8 R3/8	31.4	UE 8 R3/8		YC 8 R3/8		48.3	15.7	17
8	R1/2		24	CV 8 R1/2	30.3	UE 8 R1/2		YC 8 R1/2		50.5	17.1	21
10	R1/8							YC 10 R1/8		57.0	21.0	17
10	R1/4		14	CV 10 R1/4	34.0	UE 10 R1/4		YC 10 R1/4		59.3	21.2	17
10	R3/8		19	CV 10 R3/8	33.4	UE 10 R3/8		YC 10 R3/8		60.5	20.0	17
10	R1/2		24	CV 10 R1/2	35.2	UE 10 R1/2		YC 10 R1/2		62.9	21.4	21
12	R1/4		14	CV 12 R1/4	34.2	UE 12 R1/4		YC 12 R1/4		61.4	21.9	19
12	R3/8		19	CV 12 R3/8	34.2	UE 12 R3/8		YC 12 R3/8		63.4	21.8	19
12	R1/2		24	CV 12 R1/2	37.2	UE 12 R1/2		YC 12 R1/2		65.5	21.8	21

Units in mm



Bulkhead Union (BU)

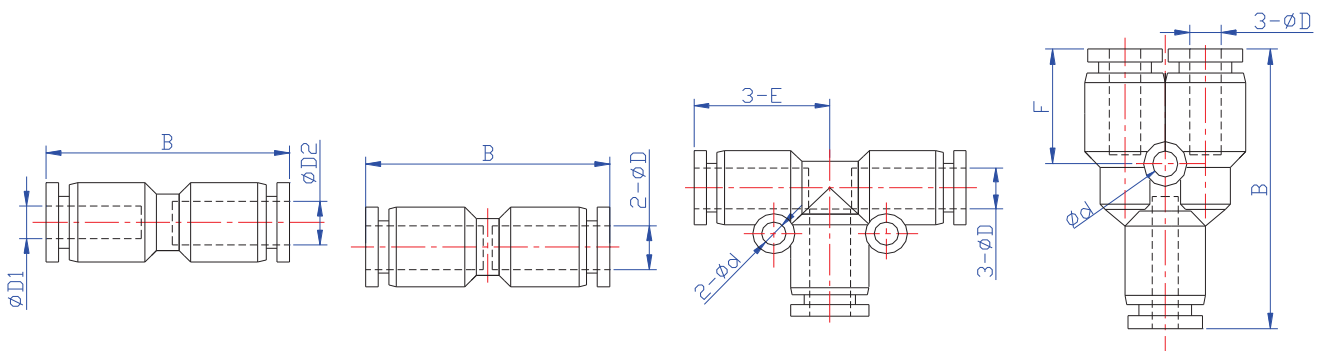
Cross Union (CU)

Elbow Union (EU)

Reduced Branch (RB)

Model	Bulkhead Union					Cross Union			Elbow Union			Reduced Branch					
	Model	B	E	H	M	Model	∅d	E	Model	E	∅d	Model	∅D1	∅D2	∅d	B	F
5/32	BU 5/32	30.1	9.7	14.3	M12	CU 5/32	3.2	17.5	EU 5/32	17.5	3.2	RB 3/16-5/32	3/16	5/32	3.2	35.8	14.0
3/16	BU 3/16	31.8	7.5	17.4	M14	CU 3/16	3.2	17.8	EU 3/16	17.8	3.2	RB 1/4-5/32	1/4	5/32	3.2	36.8	14.5
1/4	BU 1/4	31.8	7.5	17.4	M14	CU 1/4	3.2	19.3	EU 1/4	19	3.2	RB 1/4-3/16	1/4	3/16	3.2	37.1	14.8
5/16	BU 5/16	35.3	6.8	19.0	M16	CU 5/16	3.2	22.75	EU 5/16	22.8	3.2	RB 5/16-1/4	5/16	1/4	3.2	39.9	17.7
3/8	BU 3/8	36.4	8.9	22.2	M20	CU 3/8	4.2	27	EU 3/8	26.3	4.2	RB 3/8-1/4					
3/8												RB 3/8-5/16	3/8	5/16	4.2	47.9	20.3
1/2	BU 1/2	45.3	12.8	25.4	M22	CU 1/2	4.3	29.6	EU 1/2	29.6	4.3	RB 1/2-3/8	1/2	3/8	4.2	51.6	20.0
4	BU 4	35.2	13.4	14.0	12.0	CU 4	2.0	18.2	EU 4	18.2	3.0						
6	BU 6	35.4	14.3	17.0	14.0	CU 6	3.0	21.0	EU 6	21.0	3.0	RB 6-4		10.5	2.0	36.7	14.5
8	BU 8	41.1	16.2	19.0	16.0	CU 8	3.0	23.0	EU 8	23.0	3.0	RB 8-6		13.2	3.0	42.4	17.2
10	BU 10	44.7	16.6	24.0	20.0	CU 10	3.0	27.4	EU 10	27.4	3.0	RB 10-8		14.8	4.0	50.2	20.1
12	BU 12	45.3	16.6	26.0	22.0	CU 12	2.5	27.4	EU 12	27.4	3.0	RB 12-10		18.4	4.0	54.6	22.4

Units in mm



Reduced Union, RU

Straight Union, SU

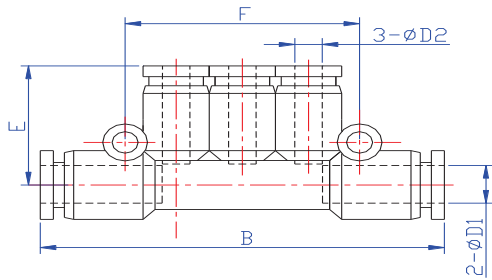
Tee Union, TU

Y Union, YU

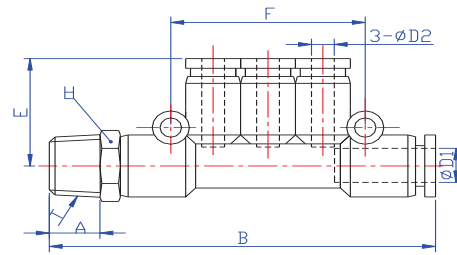
Reduced Union				Straight Union			Tee Union				Y Union				
RU				SU			TU				YU				
Part No.	∅D1	∅D2	B	Part No.	∅D	B	Part No.	∅D	∅d	E	Part No.	∅D	∅d	B	F
				SU 5/32	5/32	33	TU 5/32	5/32	3.2	18.5	YU 5/32	5/32	3.2	35.5	14.0
RU 3/16-5/32	3/16	5/32	33.3	SU 3/16	3/16	33.6	TU 3/16	3/16	3.2	18.8	YU 3/16	3/16	3.2	36.1	14.3
RU 1/4-5/32	1/4	5/32	34.9	SU 1/4	1/4	35.2	TU 1/4	1/4	3.2	19.3	YU 1/4	1/4	3.2	37.1	14.8
RU 1/4-3/16	1/4	3/16	35.2												
RU 5/16-1/4	5/16	1/4	38.6	SU 5/16	5/16	39.1	TU 5/16	5/16	3.2	22.75	YU 5/16	5/16	3.2	40.4	18.2
RU 3/8-1/4	3/8	1/4		SU 3/8	3/8	45.2	TU 3/8	3/8	4.2	27	YU 3/8	3/8	4.2	47.1	19.5
RU 3/8-5/16	3/8	5/16	47.3												
RU 1/2-3/8	1/2	3/8	48.9	SU 1/2	1/2	49.2	TU 1/2	1/2	4.3	29.6	YU 1/2	1/2	4.2	53.2	21.6
				SU 4		30.8	TU 4		3	18.2	YU 4		3	33.5	14.9
RU 6-4	4	6	33.9	SU 6		37.6	TU 6		3	21	YU 6		3	37	15.8
RU 8-6	6	8	38.7	SU 8		39.5	TU 8		3	23	YU 8		3	38.4	16
RU 10-8	8	10	42.5	SU 10		47.1	TU 10		3	27.4	YU 10		4	52.1	19.1
RU 12-10	10	12	47.4	SU 12		50.3	TU 12		3	27.4	YU 12		4	54.8	21.6

Units in mm

Composite Push-In Air Fittings Dimensions

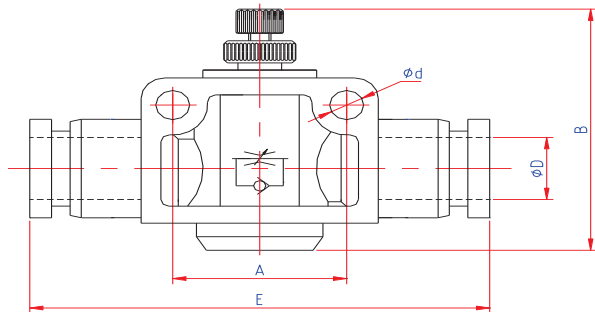


Manifold Union (MU)

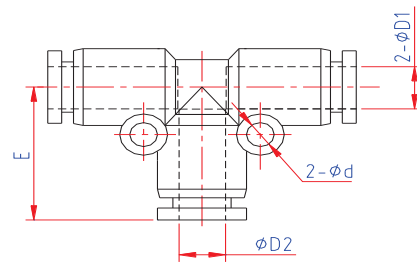


Male Manifold (MM)

Manifold Union					Manifold Union					Male Manifold									
MU					MU					MM									
Part No.	ØD	B	E	F	Part No.	ØD1	ØD2	B	E	F	Part No.	ØD1	ØD2	T	A	B	E	F	H
MU 5/32	5/32	57	19	36															
MU 3/16	3/16	57.6	19.3	36	MU 3/16-5/32	3/16	5/32	57.6	19	36	MM 3/16-5/32-N1/8	3/16	5/32	NPT 1/8	7.5	64.3	19	36	11.1
MU 1/4	1/4	61.6	20.3	42	MU 1/4-5/32	1/4	5/32	57.6	19	36	MM 1/4-5/32-N1/8	1/4	5/32	NPT 1/8	7.5	64.3	19	36	12.7
MU 5/16	5/16	81.6	24.3	48	MU 5/16-5/32	5/16	5/32	62.6	20	42	MM 5/16-5/32-N1/4	5/16	5/32	NPT 1/4	10.5	72.3	20	42	14.3
					MU 5/16-3/16	5/16	3/16	62.6	20.3	42	MM 5/16-3/16-N1/4	5/16	3/16	NPT 1/4	10.5	72.3	20.3	42	14.3
					MU 5/16-1/4	5/16	1/4	62.6	20.3	42	MM 5/16-1/4-N1/4	5/16	1/4	NPT 1/4	10.5	72.3	20.3	42	14.3
					MU 3/8-1/4	3/8	1/4	80	23.8	48	MM 3/8-5/16-N3/8	3/8	5/16	NPT 3/8	11	91.5	24.3	48	17.4
					MU 3/8-5/16	3/8	5/16	80	24.3	48									
					MU-6-04	6.0	4.0	61.3		40.4	MM06-04-R1/8	6.0	4.0	R1/8		68.5		40.4	12
					MU-8-04	8.0	4.0	61.7		40.9	MM08-6-R1/4	8.0	6.0	R1/4		69.9		40.9	14
					MU-8-06	8.0	6.0	62.7		40.9									
					MU-10-06	10.0	6.0	82.9		47.1									
					MU-10-08	10.0	8.0	83.0		47.9	MM10-8-R3/8	10.0	8.0	R3/8		91.6		47.9	17



Air Flow Control Valve (FV)



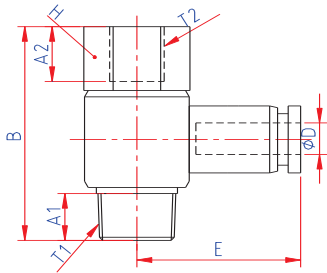
Tee Union Reducer (TU)

Air Flow Control Valve					
FV					
Part No.	ØD	Ød	A	B	E
FV 5/32	5/32	3.2	14	28.8	39.5
FV 3/16	3/16	3.2	14	28.8	40.1
FV 1/4	1/4	4.3	20	42.6	47.6
FV 5/16	5/16	4.3	22	44.3	52.6
FV 3/8	3/8	4.3	26	53.4	60.5
FV 1/2	1/2	4.3	32	55.6	74.2

FV-4	4	3.0			39.9
FV-6	6	4.0			49.6
FV-8	8	4.0			55.2
FV-10	10	4.0			64.9
FV-12	12	4.0			75.7

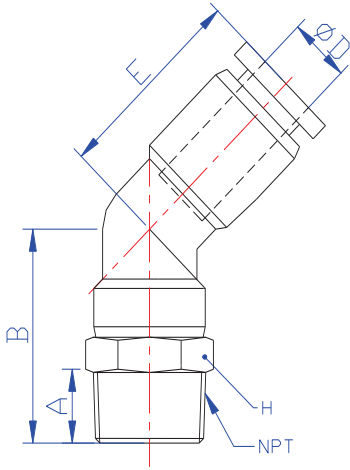
Units in mm

Tee Union Reducer				
TU				
Part No.	ØD1	ØD2	Ød	E
TU 1/4-5/32	1/4	5/32	3.2	19.0
TU 5/16-1/4	5/16	1/4	3.2	22.3
TU 3/8-5/16	3/8	5/16	3.2	27.8
TU 1/2-3/8	1/2	3/8	4.2	29.3



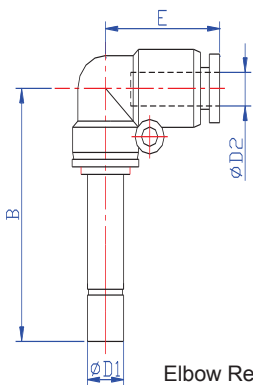
Stack Elbow (SE)

Stack Elbow								
SE								
ØD	T1	T2	Part No.	A1	A2	H	B	E
5/32	10-32UNF	10-32UNF	SE 5/32 10-32	3.8	5.5	11.1	19.5	20
	NPT1/8	NPT1/8	SE 5/32 N1/8	7.5	7.5	14.3	30	22.3
3/16	10-32UNF	10-32UNF	SE 3/16 10-32	3.8	5.5	11.1	19.5	20.3
	NPT1/8	NPT1/8	SE 3/16 N1/8	7.5	7.5	14.3	30	22.6
	NPT1/4	NPT1/4	SE 3/16 N1/4	10.5	10.5	17.4	35.8	24.3
1/4	NPT1/8	NPT1/8	SE 1/4 N1/8	7.5	7.5	14.3	30	23.1
	NPT1/4	NPT1/4	SE 1/4 N1/4	10.5	10.5	17.4	35.8	25.1
5/16	NPT1/8	NPT1/8	SE 5/16 N1/8	7.5	7.5	14.3	30	25.6
	NPT1/4	NPT1/4	SE 5/16 N1/4	10.5	10.5	17.4	35.8	28.6
	NPT3/8	NPT3/8	SE 5/16 N3/8	11	11	22.2	40.9	29.6
3/8	NPT1/4	NPT1/4	SE 3/8 N1/4	10.5	10.5	17.4	35.8	31
	NPT3/8	NPT3/8	SE 3/8 N3/8	11	11	22.2	40.9	31.6
1/2	NPT3/8	NPT3/8	SE 1/2 N3/8	11	11	22.2	40.9	35.6
	NPT1/2	NPT1/2	SE 1/2 N1/2	14	14	25.4	49	36.6



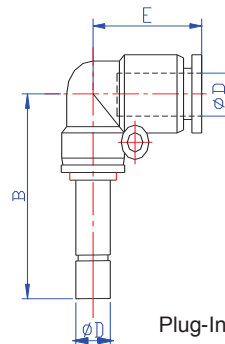
Male Angle (MA)

Male Angle						
MA						
ØD	NPT	Part No.	A	B	E	H
5/32	10-32UNF	MA 5/32 10-32	3.8	20.7	16.2	11.1
	NPT1/8	MA 5/32 N1/8	7.5	22.7		14.3
	NPT1/4	MA 5/32 N1/4	10.5	26.7		
3/16	10-32UNF	MA 3/16 10-32	3.8	20.7	16.5	11.1
	NPT1/8	MA 3/16 N1/8	7.5	23.2		14.3
	NPT1/4	MA 3/16 N1/4	10.5	26.7		17.4
	NPT3/8	MA 3/16 N3/8	11	27.7		
1/4	10-32UNF	MA 1/4 10-32	3.8	23.1	17.7	12.7
	NPT1/8	MA 1/4 N1/8	7.5	24.4		14.3
	NPT1/4	MA 1/4 N1/4	10.5	27.9		17.4
	NPT3/8	MA 1/4 N3/8	11	28.9		
5/16	NPT1/8	MA 5/16 N1/8	7.5	27.6	20.9	14.3
	NPT1/4	MA 5/16 N1/4	10.5	30.6		17.4
	NPT3/8	MA 5/16 N3/8	11	31.6		
3/8	NPT1/8	MA 3/8 N1/8	7.5	30.2	22.2	17.4
	NPT1/4	MA 3/8 N1/4	10.5	33.2		17.4
	NPT3/8	MA 3/8 N3/8	11	33.7		22.2
	NPT1/2	MA 3/8 N1/2	14	37.2		
1/2	NPT1/4	MA 1/2 N1/4	10.5	36.2	26.3	22.2
	NPT3/8	MA 1/2 N3/8	11	36.7		22.2
	NPT1/2	MA 1/2 N1/2	14	39.7		22.2



Elbow Reducer (ER)

Elbow Reducer				
ER				
Part No.	ØD1	ØD2	B	E
ER 1/8-5/32	5/32	1/8	33	17.5
ER 5/32-1/4	1/4	5/32	35	17.5
ER 1/4-3/8	3/8	1/4	42.5	22.8
ER 1/4-5/16	5/16	1/4	39.2	19
ER 5/16-3/8	3/8	5/16	42.5	22.8
ER 3/8-1/2	1/2	3/8	52.8	26.3

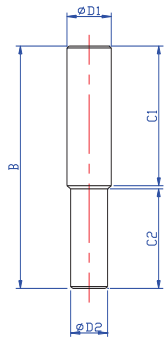


Plug-In Elbow (PE)

Plug-In Elbow			
PE			
Part No.	ØD	B	E
PE 5/32	5/32	33	17.5
PE 3/16	3/16	33	17.8
PE 1/4	1/4	36.2	19
PE 5/16	5/16	42.5	22.8
PE 3/8	3/8	50.8	26.3
PE 1/2	1/2	54.5	29.6

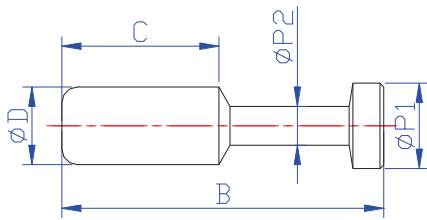
Units in mm

Composite Push-In Air Fittings Dimensions



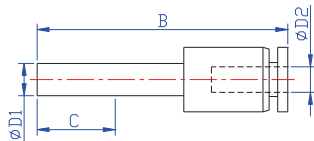
Stem Reducer (SR)

Stem Reducer					
SR					
Part No.	ØD1	ØD2	C1	C2	B
SR 3/16-5/32	3/16	5/32	18	17	36
SR 1/4-5/32	1/4	5/32	18	17	36
SR 1/4-3/16	1/4	3/16	18	17	36
SR 5/16-1/4	3/16	1/4	20	18	39
SR 3/8-5/16	3/8	5/16	25	20	46
SR 1/2-3/8	1/2	3/8	27	26	54



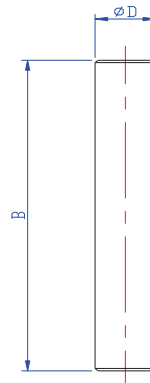
Plug (PG)

Plug					
PG					
Part No.	ØD	B	ØP1	ØP2	C
PG 5/32	5/32	28	5	3	15
PG 3/16	3/16	28	5	3	15
PG 1/4	1/4	33	7	3	17
PG 5/16	5/16	37	9	4	18
PG 3/8	3/8	42	11	5	20.5
PG 1/2	1/2	44	13	6	23



Tube Reducer (TR)

Tube Reducer				
TR				
Part No.	ØD1	ØD2	B	C
TR 5/32-1/4	1/4	5/32	39.5	16
TR 5/32-5/16	5/16	5/32	41.5	18.6
TR 1/4-5/16	5/16	1/4	41.8	18.6
TR 1/4-3/8	3/8	1/4	46.5	20
TR 5/16-3/8	3/8	5/16	46.5	20
TR 1/4-1/2	1/2	1/4	51.8	23.5
TR 5/16-1/2	1/2	5/16	52.3	23.5
TR 3/8-1/2	1/2	3/8	51.5	23.5

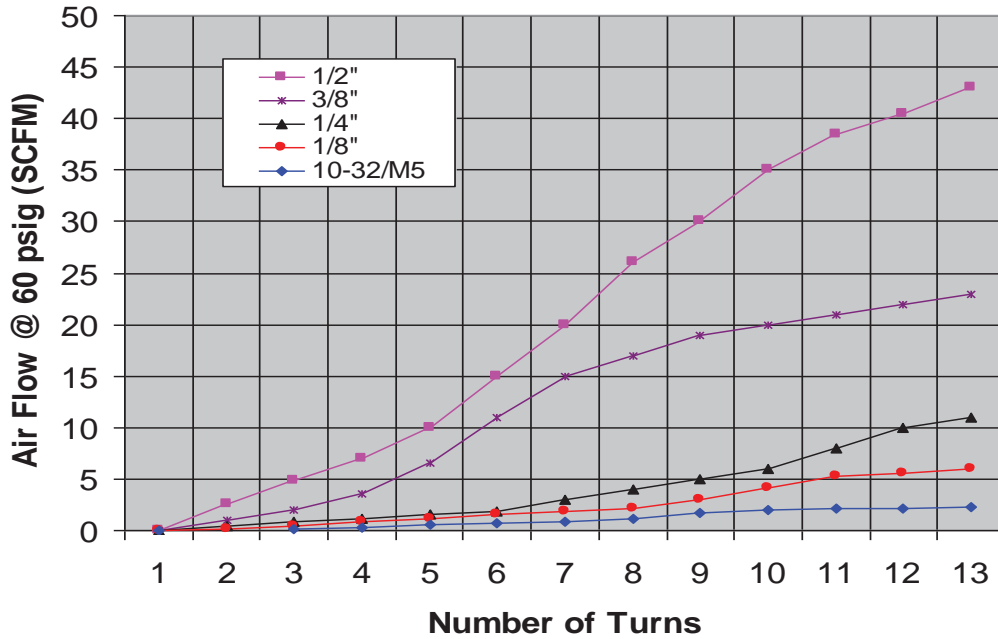


Stem Coupling (SC)

Stem Coupling		
SC		
Part No.	ØD	B
SC 5/32	5/32	35
SC 3/16	3/16	35
SC 1/4	1/4	37
SC 5/16	5/16	41
SC 3/8	3/8	51
SC 1/2	1/2	54

Units in mm

STC FLOW CONTROL VALVES AIR FLOW CHARACTERISTICS



Special Features:

- Complete rotation of the valve body around the bolt allows for optimum positioning of tubing
- Compact size provides space saving installations
- Special adjustment needle design allows large adjustment with high precision
- Adjustment needles and banjo bodies are retained, preventing accidental loss of needle or lock nut.